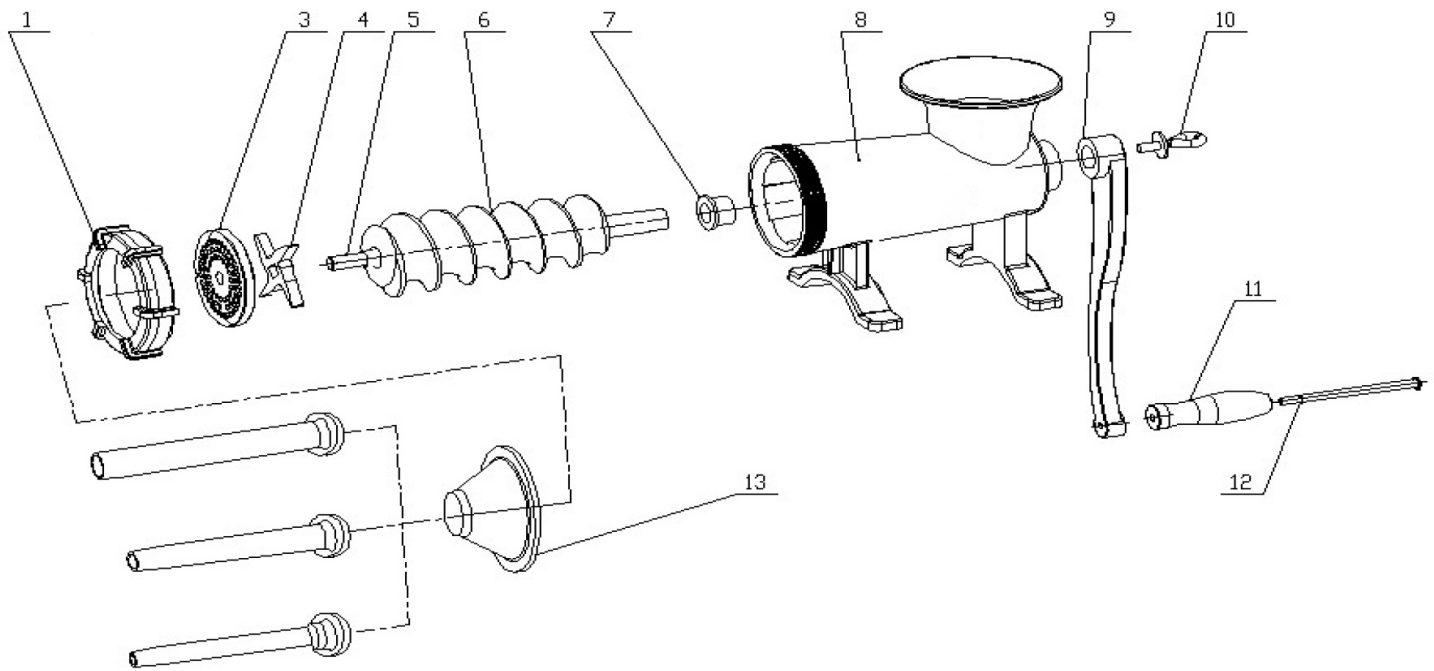


Parts Breakdown

Item 44420



Parts Breakdown

Item 44420

Item No.	Description	Position	Item No.	Description	Position	Item No.	Description	Position
AG888	Retaining Ring for 44420	1	AE663	Bushing for 44420	7	AG898	Handle Bolt for 44420	12
AG890	4.5mm Plate for 44420	3	AG894	Body / Head for 44420	8	AG899	Stuffing Tubes for 44420	13
AG891	Knife for 44420	4	AG895	Handle Arm for 44420	9	AG901	Complete Handle Set for 44420	
AG892	Auger Stud for 44420	5	AG896	Handle Screw for 44420	10			
AG893	Worm Gear / Auger for 44420	6	AG897	Handle Cover for 44420	11			